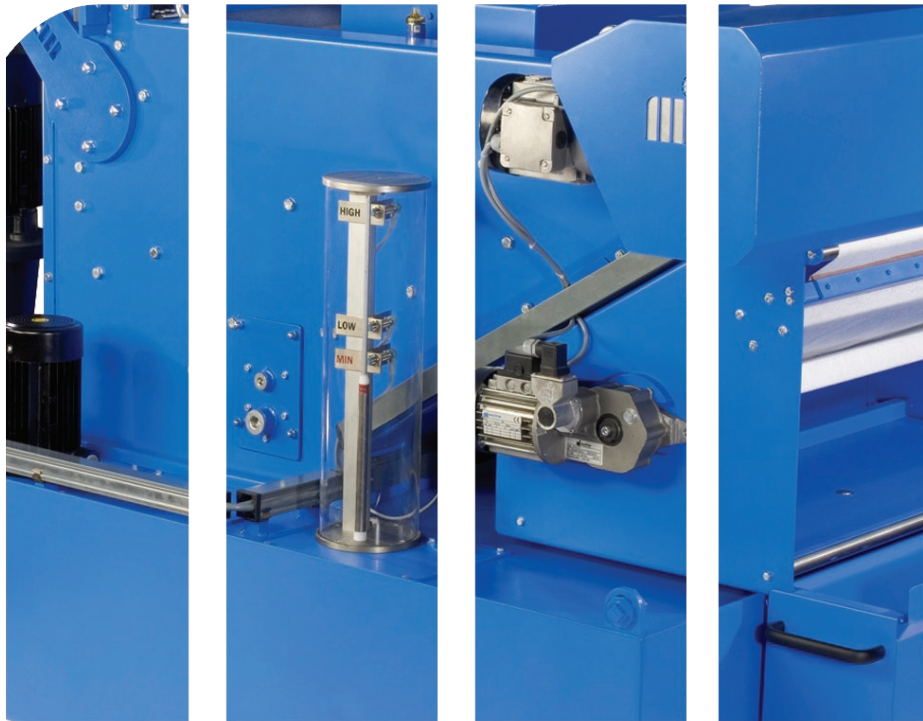


# Hydrostatic Paper Filter (HPF)

---



Clean coolant using deep bed gravity technology

# Hydrostatic Paper Filter (HPF)

The HPF is a high efficiency, deep bed gravity filter that utilizes both woven and non-woven fabric media. It is a fully automatic unit, used for cleaning coolants in a variety of industrial applications.

It combines the highest level in chip removal equipment with the most effective coolant filtration capabilities due in part to its unique side seal technology. This design prevents chip and particulate from entering the clean tank.

Compared to other flatbed filters, of the same capacity, the HPF overall dimensions are significantly smaller and can achieve greater filtration levels per square foot of floor space.

The HPF can process 100 to 1000 liters per minute of water-based emulsions or neat oils, containing both metallic and non-metallic particles. It allows for the use of various types of media (filter papers) for optimum filtration results.



### HPF Benefits:

- Deep bed gravity technology for greater levels of filtration
- Fully automatic operation
- Unique side sealing technology prevents chip and particulate bypass
- Uses various disposable media, dependent on type of machining and coolant cleanliness requirements
- Smaller footprint with improved filtration
- Designed as part of the Mayfran Modular Filter platform

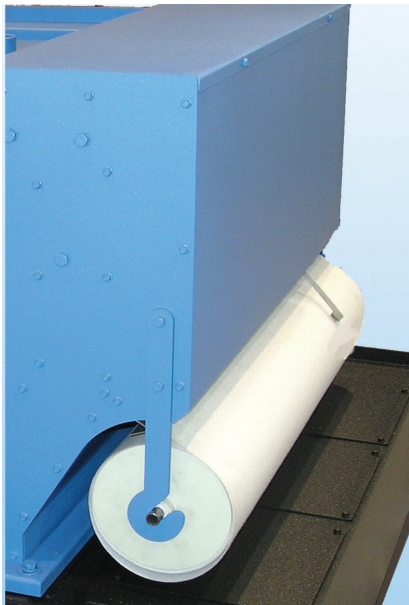
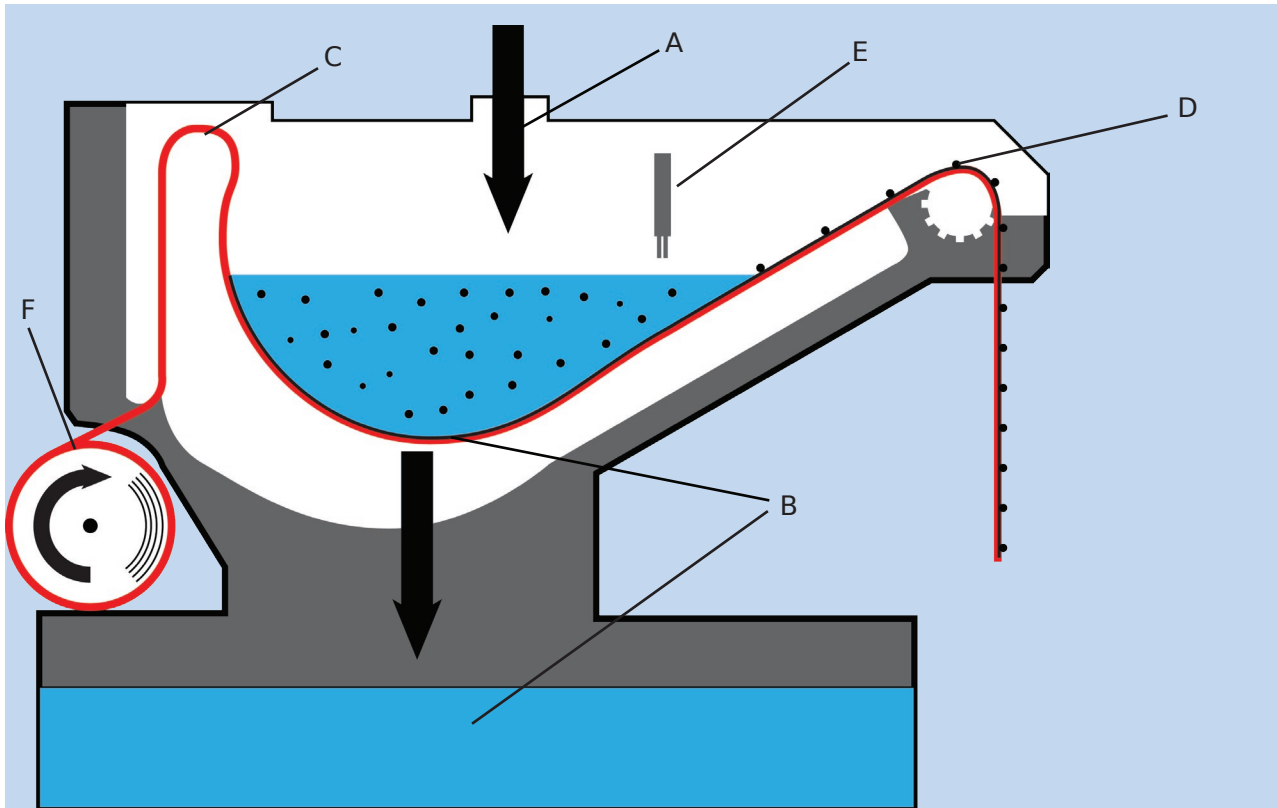
### Available Standard Options:

- Magnetic Pre-Separator
- Immersion Chiller
- High Pressure Coolant System
- Duplex Bag/Cartridge Filter
- Pump Over Tanks
- Cyclonic Filter

Filter Type	Flow Rate (Liters/GPM)	Available Media Width
HPF-100	100/25	20 in.
HPF-300	300/75	20/38 in.
HPF-500	500/125	20/38/51 in.
HPF-700	700/175	38/51 in.
HPF-1000	1000/250	51 in.

# Hydrostatic Paper Filter (HPF)

How it works:



- A. Dirty coolant enters top of filter
- B. Coolant filtered via gravity force through filter media into clean coolant tank
- C. Media carrier belt
- D. Filter cake forms on paper media
- E. High level sensor activates drive assembly to advance media when filtering capacity decreases and liquid level rises
- F. Low media warning sensor for media replacement or shutdown if empty

# WORLDWIDE AT YOUR SIDE...



MAYFRAN INTERNATIONAL (INC.)  
P.O. Box 43038  
Cleveland, OH 44143 U.S.A.  
Tel.: +1 440 461 4100  
Fax: +1 440 461 5565  
info@mayfran.com  
www.mayfran.com



MAYFRAN GMBH  
Hüttenstraße 7  
D-52068 Aachen / Germany  
Tel.: +49 2 41 93 87 20  
Fax: +49 2 41 17 50 80  
sales@mayfran.eu  
www.mayfran.de



MAYFRAN U.K. LTD.  
Unit 38 Bradley Fold Trading Estate  
Bradley Fold Road, Radcliff, Bury BL2 6RT  
United Kingdom  
Tel.: +44 12 04 36 64 69  
Fax: +44 12 04 36 68 40  
sales@mayfran.co.uk  
www.mayfran.co.uk



MAYFRAN INTERNATIONAL B.V.  
P.B. 31032, Edisonstraat 7  
6370 AA Landgraaf / Netherlands  
Tel.: +31 4 55 32 92 92  
Fax: +31 4 55 32 93 00  
sales@mayfran.eu  
www.mayfran.eu



NIEDERLASSUNG SÜD  
Richthofenstraße 32  
D-73312 Geislingen / Steige  
Tel.: +49 7 33 19 55 30  
Fax: +49 7 33 19 55 355  
sales@mayfran.eu  
www.mayfran.de



MAYFRAN FRANCE S.A.R.L.  
Centre D'Affaires, Paris-Nord  
Immeuble l' Ampère,  
F-93153 Le Blanc Mesnil Cedex / Frankreich  
Tel.: +33 1 48 65 78 00  
Fax: +33 1 48 65 66 55  
sales@mayfran.fr  
www.mayfran.fr



TSUBAKIMOTO MAYFRAN INC.  
5001 Ohno, Tsuchiyama-cho, Koka-shi  
Shiga 528-0235 / Japan  
Tel.: +81 7 48 67 10 01  
Fax: +81 7 48 67 10 97  
www.mayfran.co.jp



KOREA MAYFRAN  
627-3 Gojan-dong Namdong-gu.  
Incheon 405-817. Korea  
Tel.: +82 32 822 58 86  
Fax: +82 32 822 91 66  
sales@mayfran.co.kr  
www.mayfran.co.kr



MAYFRAN CHINA  
Tsubakimoto Mayfran Conveyor  
(Shanghai) Co., Ltd.  
Building 2, 1300 Bei He Rd.  
Jinding Industry Zone  
Shanghai 201807 / China  
Tel.: +86 21 39 53 86 56  
Fax: +86 21 39 53 86 19  
info@mayfran.cn  
www.mayfran.cn



MAYFRAN CZ S.R.O.  
Troská 14  
180 00 Praha 8 / Czech Republic  
Tel.: +420 241 48 51 31  
Fax: +420 241 48 51 32  
sales@mayfran.eu  
www.mayfran.cz



MIVEN MAYFRAN  
Miven Mayfran Conveyors Pvt. Ltd.,  
Sirurs Compound, Karwar Road,  
Hubli-580 024, Karnataka, India  
Tel.: +91 836 221 22 01  
Fax: +91 836 230 32 65  
info@mivenmayfran.com  
www.mivenmayfran.com

